

JBL 4305P STUDIO MONITOR

Powered Bookshelf Loudspeaker System



Product Overview

The JBL 4305P Studio Monitor is a completely self-contained powered loudspeaker system featuring high-resolution streaming audio and prosumer connectivity.

Patented JBL acoustic technologies render sound with incredible accuracy and powerful dynamics, while extensive wired and wireless connectivity open a world of possibilities for the music lover and content creator.

The integrated streaming engine provides both wired and wireless network audio capabilities via Google Chromecast built-in, Apple AirPlay 2, and Bluetooth audio.

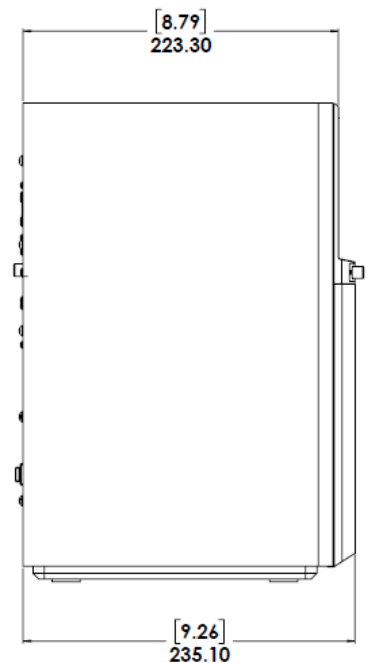
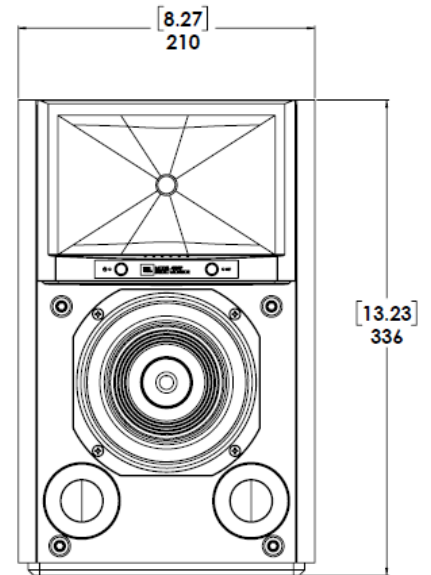
A 24-bit/192kHz high-resolution DAC ensures your favorite music comes across with the highest fidelity. In addition to premium wireless audio, the 4305P provides extensive connections for analog and digital physical sources including a professional-grade combination XLR / ¼-inch TRS phono input for use with balanced or unbalanced signals.

Highlights

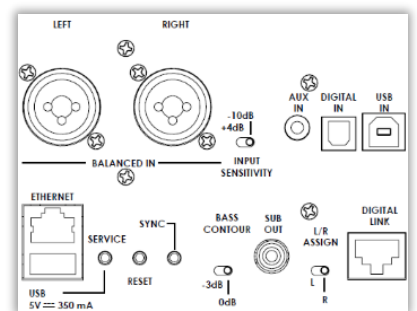
- High-performance powered bookshelf loudspeaker system
- Patented JBL 2410H-2 1-inch (25mm) compression driver and High-Definition Imaging horn
- 300W total system power and 24-bit/192kHz high-resolution DAC
- Google Chromecast Built-in, Apple AirPlay 2, and Bluetooth wireless audio
- USB and optical digital inputs plus XLR / ¼-inch TRS and 3.5mm analog inputs
- Available in Natural Walnut or Black Walnut furniture-grade wood veneer finishes
- Wireless remote included and available MusicLife app for control

Specifications

Type:	Compact, Bass-reflex Loudspeaker System with Built-in Amplification, DSP, and Wireless Connectivity
Low Frequency Drivers:	JW130P-4, 5.25-inch (130mm) Pure-pulp Black Paper Cone Woofers with Cast-frames
High Frequency Drivers:	2410H-2, 1-inch (25mm) Annular Ring, Teonex® Diaphragm Compression Drivers with Advanced HDI™ Geometry Horns
Amplifier Power:	300W Class D System Power 150W RMS per Speaker (25W per HF Compression Driver + 125W per LF Woofer)
Audio Resolution:	Up to 24-bit, 192 kHz (Digital Link connection between spks) Up to 24-bit, 96 kHz (Wireless connection between spks)
Frequency Response:	45 Hz - 25 kHz (-6 dB)
Crossover Frequency	1750kHz
Dispersion	90° Horizontal x 60° Vertical (2kHz to 20kHz)
Sound Controls:	Front Panel: Volume +/- and Source Selection Bluetooth Remote Boundary Compensation (Flat / -3dB)
Wireless Inputs:	WiFi streaming, Bluetooth 5.1
Wired Inputs:	Analog: XLR/¼" Combo and 3.5mm stereo Digital: Asynchronous USB-B and Toslink/Optical
Supported Digital Audio Sample Rates (PCM 2CH)	Streaming & Local Media: 32kHz/44.1kHz/48kHz/88.2kHz/96kHz/176.4kHz/192kHz SPDIF: Up to 192kHz Bluetooth: Up to 48kHz
Music Formats Supported (Local Media)	AAC / AIFF / ALAC / DSD (to PCM) / FLAC / MP3 / MP4 / OGG / WAV / WMA
Subwoofer Output:	Autosensing w/ Auto-engage of 80Hz High Pass Filter
Remote Control Type:	BTLE Wireless
Bluetooth Audio	Version 5.1 Profiles: SPP (Serial Port Profile) A2DP (Advanced Audio Distribution Profile) AVRCP (Audio/Video Remote Control Profile)
Enclosure:	Bass-reflex Design with Dual Front-facing Ports ¾" MDF Finished in Satin Walnut or Black Walnut Furniture-Grade Wood Veneer
Grille:	Dark Blue (with Walnut Cabinet) or Black (with Black Cabinet) Acoustically Transparent Cloth Grille
Net Speaker Dimensions with grille:	13.2" H x 8.3" W x 8.8" D (336mm x 210mm x 223.3mm)
Net Speaker Weight:	Primary: 14.6 lbs (6.6kg) Secondary: 14 lbs (6.4kg)
Shipping Units of Measure:	System Pairs
Gross Shipping Dimensions:	18.13" H x 23.5" W x 11.38" D (460.4mm x 596.9mm x 288.9mm)
Gross Shipping Weight:	34.2 lbs (15.5 kg)
AC Input Voltage:	100 - 240 VAC (+/-10%), 50/60Hz
Warranty:	5 Year Parts & Labor: Enclosure & Drivers 1 Year Parts & Labor: Electronics



Primary Speaker – Back Panel Connections



Secondary Speaker – Back Panel Connections

